

NEIO-B1601/B1603

2/4 COM Ports EtherCAT Slave Module



NEIO-B1601



NEIO-B1603

Main Features

- ♦ Finger-safe wiring cover
- ♦ Detachable screw terminals
- ♦ Rotational pin-assignment marks
- ♦ On-module LED indicators
- ♦ User-friendly wiring label
- ♦ Multiple mounting methods
- ♦ 1 x RS232/422/485, 1 x 422/485 for NEIO-B1601
- ♦ 1 x RS232/422/485, 3 x 422/485 for NEIO-B1603

Product Overview

NEIO is a series of EtherCAT slave I/O modules for distributed industrial applications. Each module is equipped with high density I/O (up to 32 points) and powerful features in a compact size. DIN-rail design and daisy-chain wiring powered by EtherCAT technology make it easy to install NEIO modules in the field. NEIO provides wide variety of I/O combinations with standard ESI file so that users can always find suitable I/O modules for their high-speed EtherCAT-based applications.

Specifications

COM Port

- ♦ Port type
 - 1 x RS232/422/485, 1 x 422/485 for NEIO-B1601
 - 1 x RS232/422/485, 3 x 422/485 for NEIO-B1603
- ♦ Data bits : 5, 6, 7, 8
- ♦ Stop bits: 1, 1.5, 2
- ♦ Parity: none, even, odd, space, mark
- ♦ Flow control: RTS/CTS and DTR/DSR (RS-232 only), XON/XOFF
- ♦ Baud rate: 0.3 ~ 115.2 kbps

Communication

- ♦ Protocol : EtherCAT
- ♦ Bus interface: 2 x RJ-45
- ♦ Media: Ethernet cable (min. CAT5), shielded
- ♦ Distance between stations: maximum. 100m (100BASE-TX)
- ♦ Data transfer rate: 100M baud

Power Requirements

- ♦ DC 24V ±20% with over-voltage and reversed-voltage protection

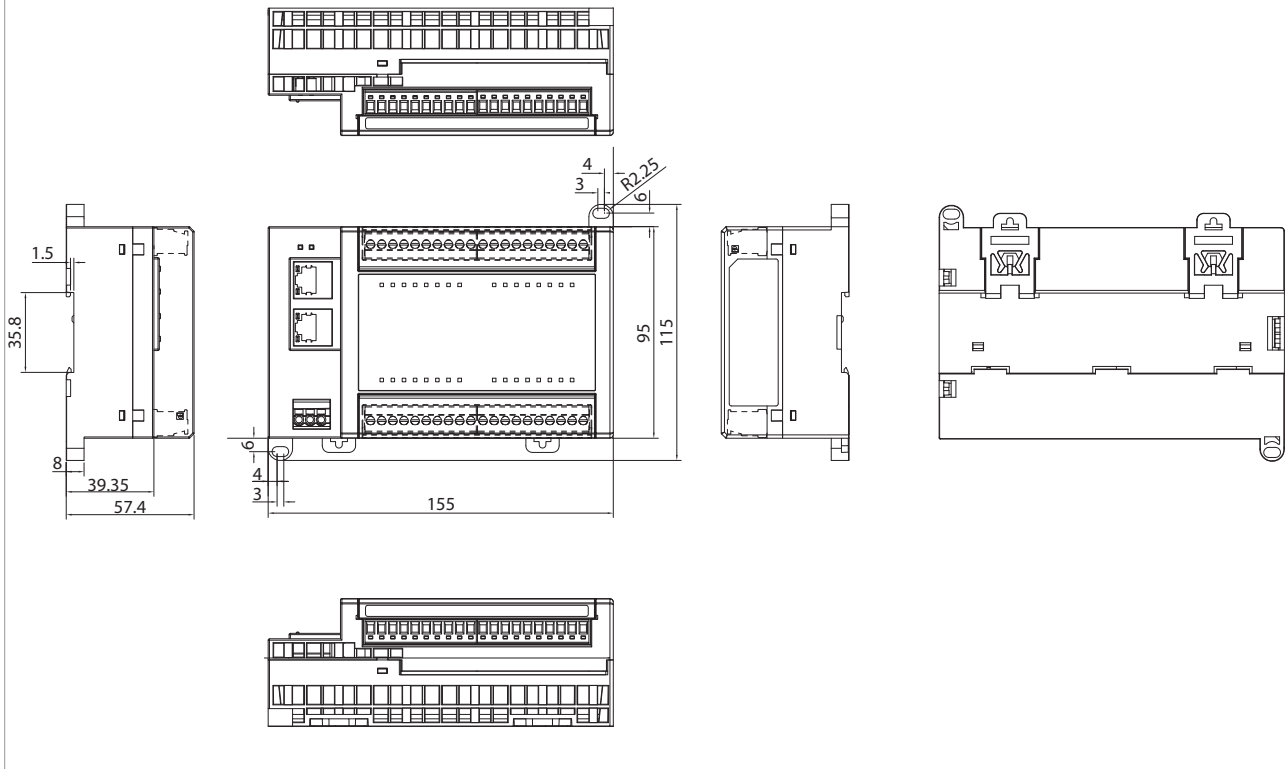
Common Section

- ♦ Electrical isolation: 2.5 KV (power contact)
- ♦ Operating temperature: 0°C to 55°C
- ♦ Storage temperature: -40°C to 85°C
- ♦ Relative humidity: 5~95%, non-condensation, non-operating
- ♦ Shock: IEC 60068-2-27
- ♦ Vibration: IEC 60068-2-6, IEC 60068-2-64
- ♦ Enclosure type rating: IP20
- ♦ Mounting type: din-rail (35mm), wall-mount
- ♦ Dimensions (mm): 155 (W) x 115 (H) x 57.4 (D)

Certifications

- ♦ CE
- ♦ FCC Class A

Dimension Drawing



Ordering Information

- ♦ **NEIO-B1601 (P/N: 10J80160100X0)**
2 COM ports EtherCAT slave module
- ♦ **NEIO-B1603 (P/N: 10J80160300X0)**
4 COM ports EtherCAT slave module
- ♦ **AC to DC din rail power supply (P/N: 7440060001X00)**
60W 24V/2.5A for NISE